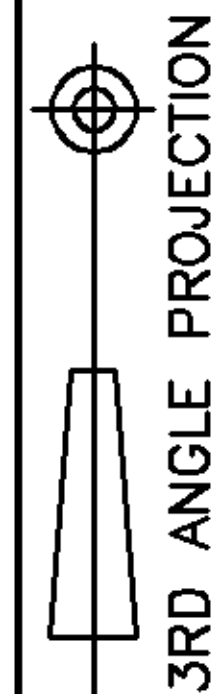


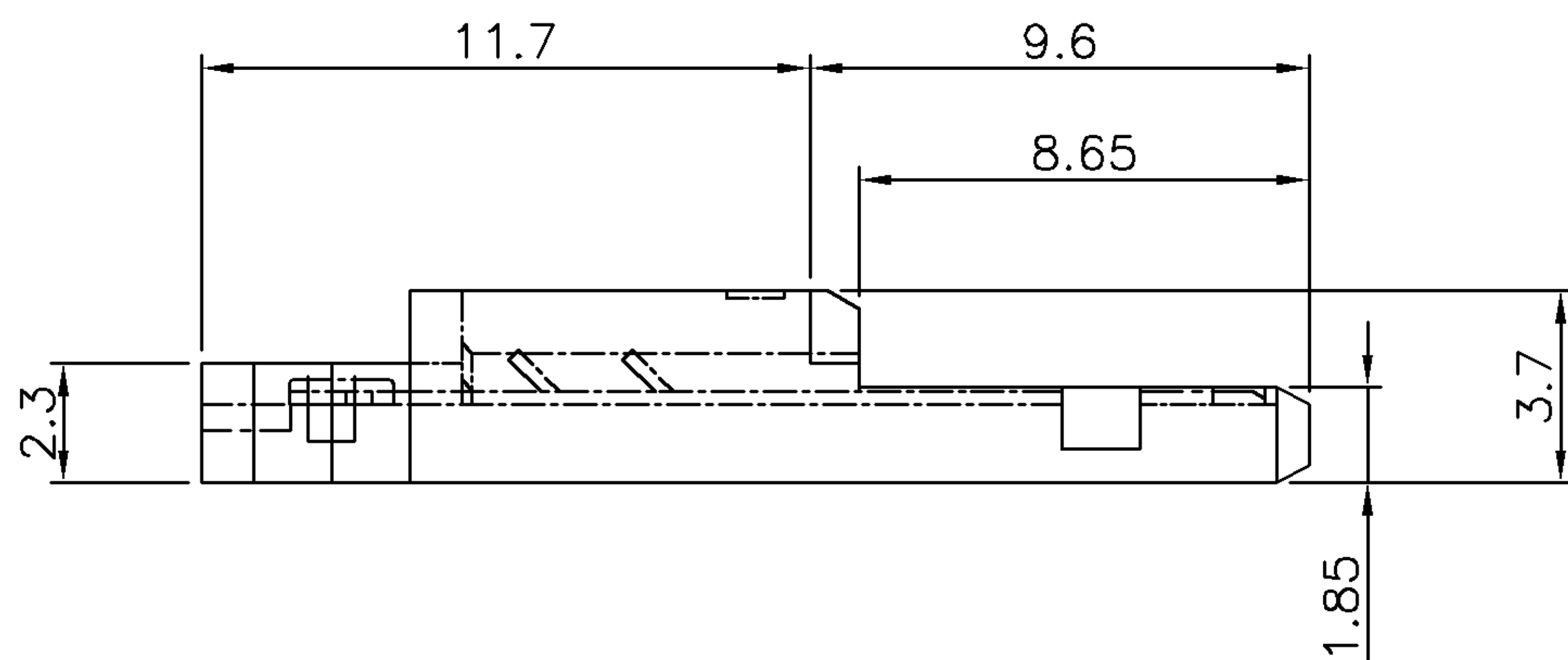
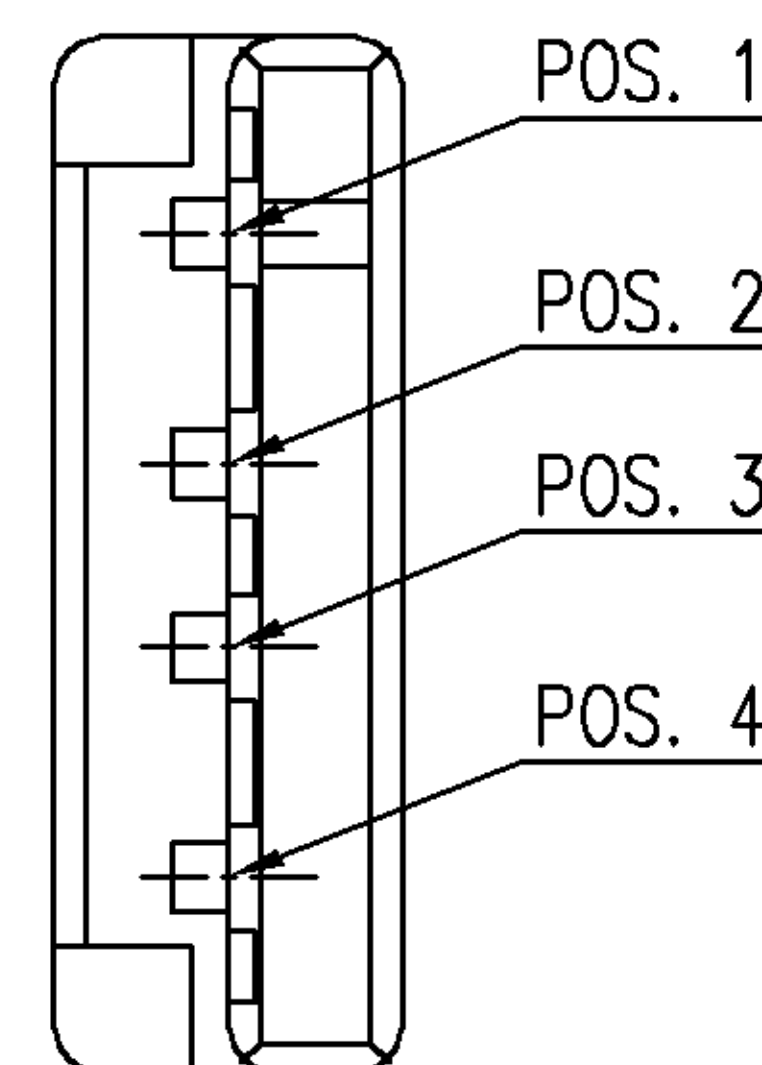
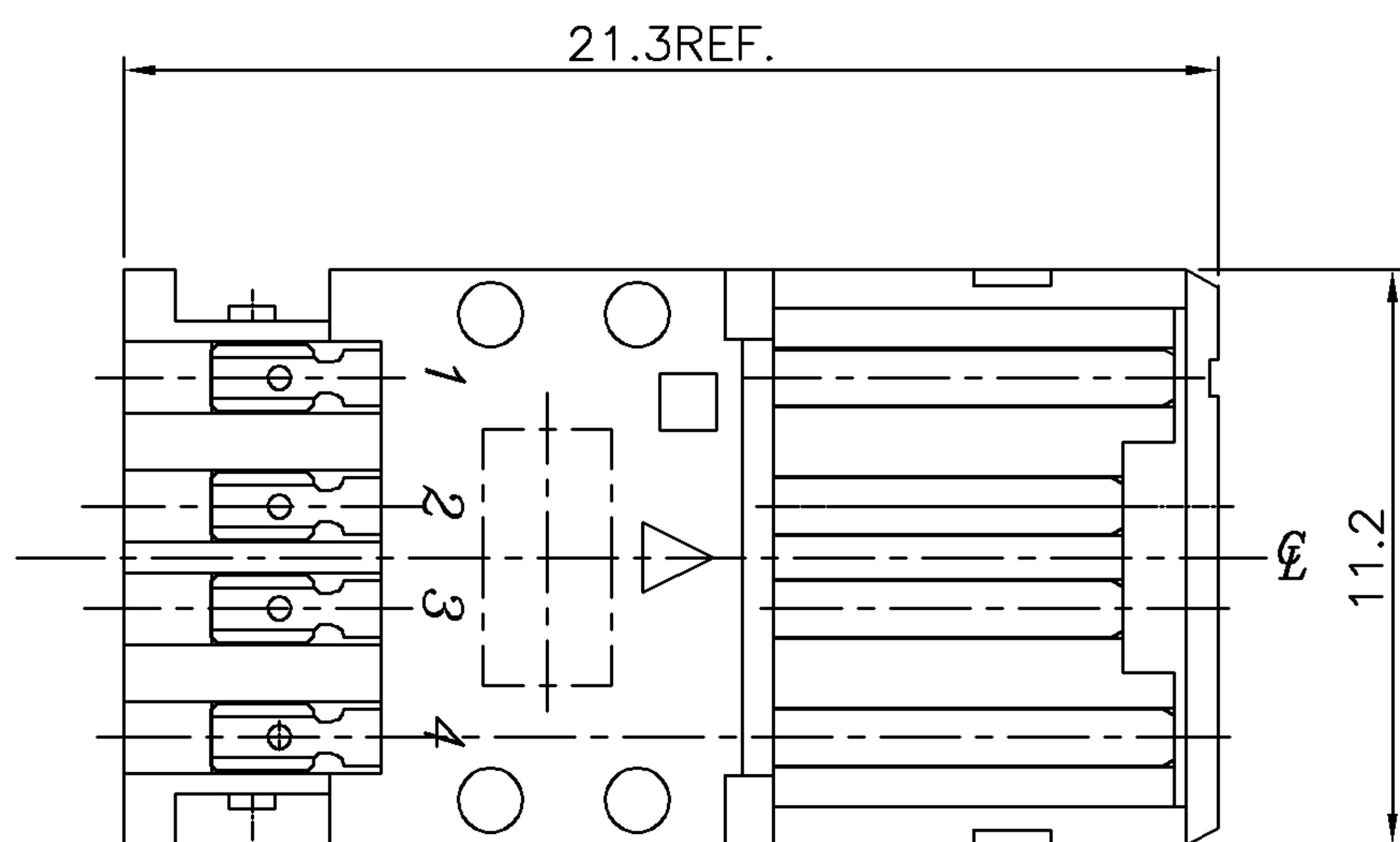
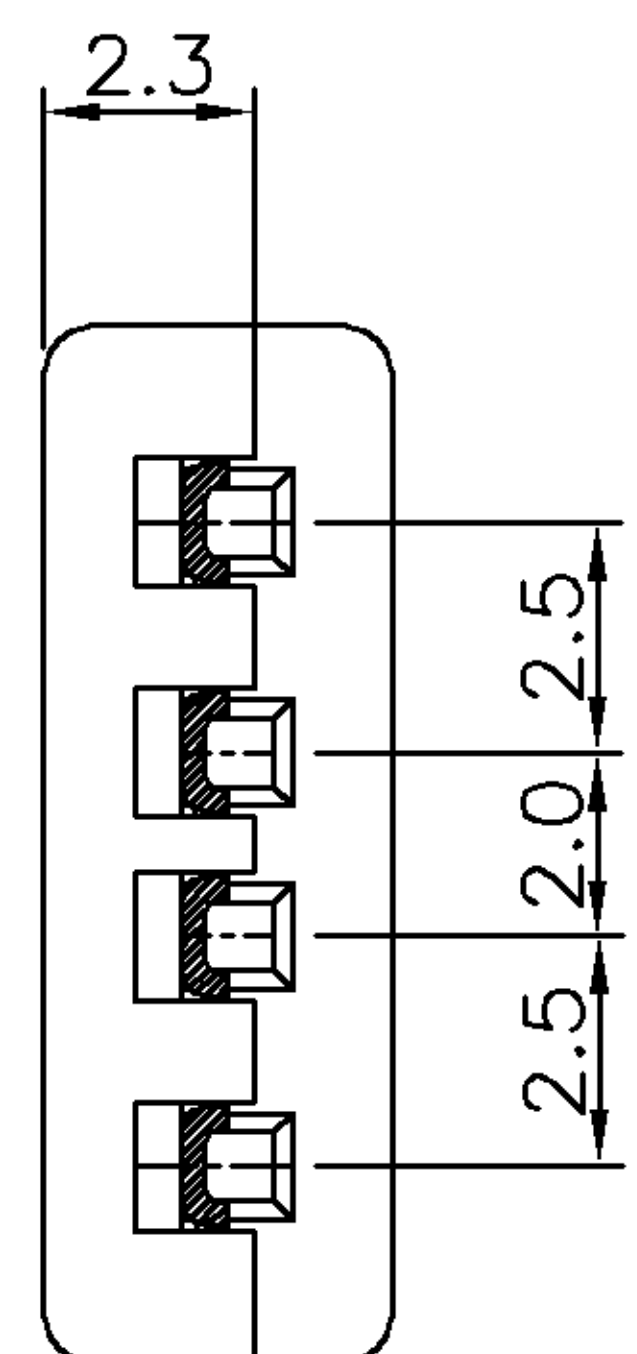
THIS INFORMATION IS CONFIDENTIAL AND IS DISCLOSED TO YOU ON CONDITION THAT NO FURTHER DISCLOSURE IS MADE BY YOU TO OTHER THAN AMP PERSONNEL WITHOUT WRITTEN AUTHORIZATION FROM AMP (TAIWAN) LTD. DIMENSIONS IN MILLIMETERS. DO NOT SCALE PRINT.

PRINT DIST
DW

METRIC



NUMBER
C-1734372



NOTES:

1. MATERIAL:

HOUSING: THERMOPLASTIC, WITH 30% GLASS FILLED, UL 94V-0 RATED, COLOR: BLACK

CONTACT: BRASS, THICKNESS=0.25±0.01mm.

2. FINISH :

CONTACT : 5u" MIN. GOLD PLATED ON CONTACT AREA, 100u" MIN. TIN-Cu PLATING ON SOLDER TAILS, 50u" MIN. NICKEL UNDERPLATED ALL OVER.

WHITE	1-1734372-2
BLACK	1-1734372-1
HSG. COLOR	PART NUMBER

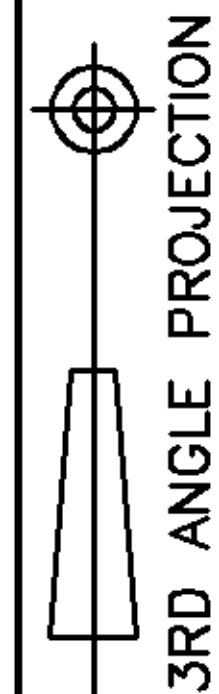
TOLERANCES UNLESS OTHERWISE SPECIFIED: 0 PLC ±0.5 1 PLC ±0.35 2 PLC ±0.25 3 PLC ±0.15 ANGLES ±3'	DWN	O. HU	TYCO HOLDINGS (BERMUDA) VII LTD. TAIWAN BRANCH	
		22-NOV-2005		
MATERIAL SEE NOTE	CHK	S. HOU	NAME	
		22-NOV-2005	USB OVERMOLD HARDWARE KIT SERIES A, SOLDER PLUG, LONG TYPE	
FINISH SEE NOTE	APVD	W.J. KE	LOC	SIZE
		22-NOV-2005	DW	A ₃
	PRODUCT SPEC	108-57547	DRAWING NO	REV
	APPLICATION SPEC	--	C-1734372	O
	WEIGHT	0.95 gram	SCALE	SHEET
			--	1 OF 7

O	FIRST RELEASED		OH	25NOV
			SH	2005
LTR	REVISION RECORD	ECN	DWN	CHK
			DATE	

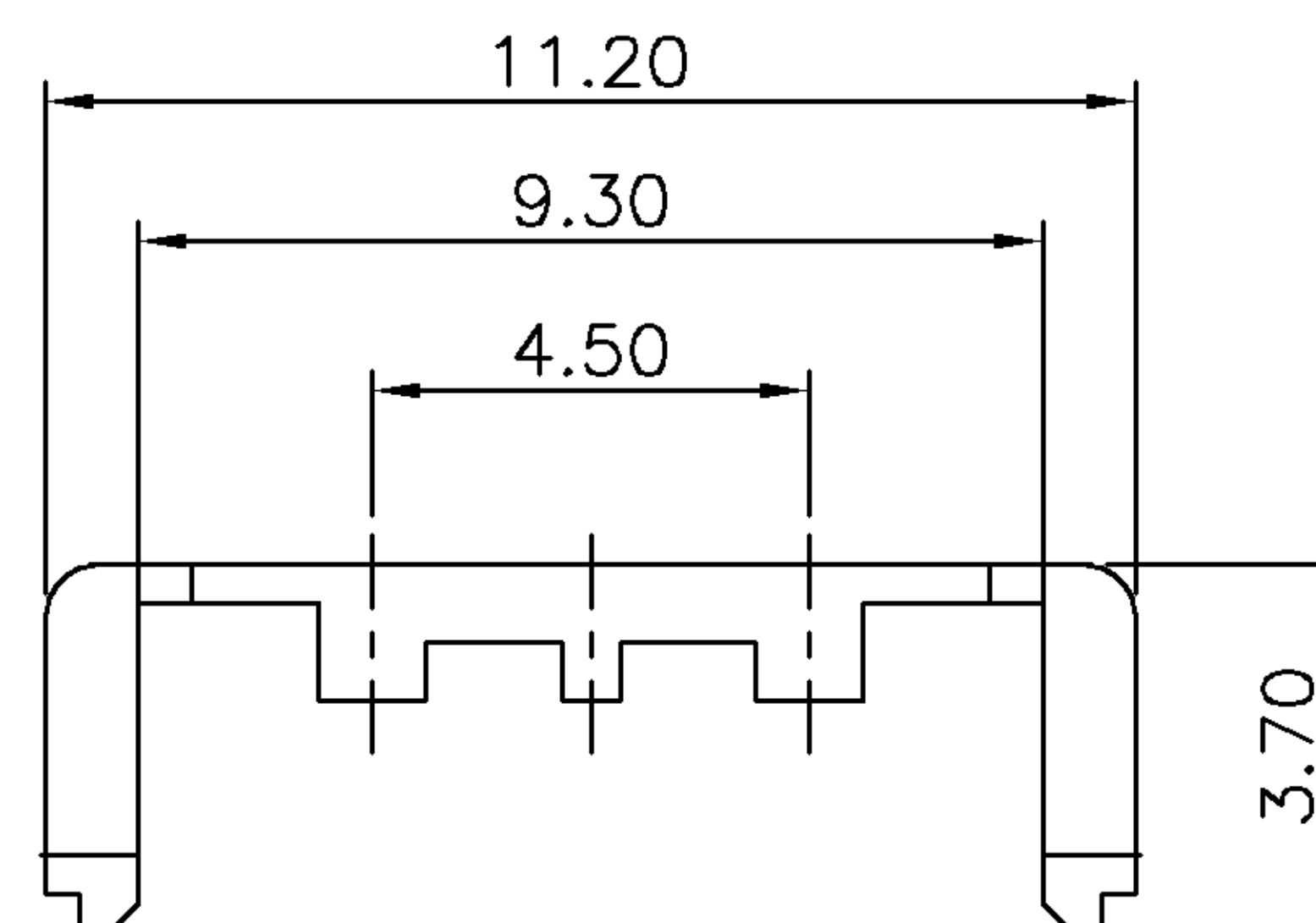
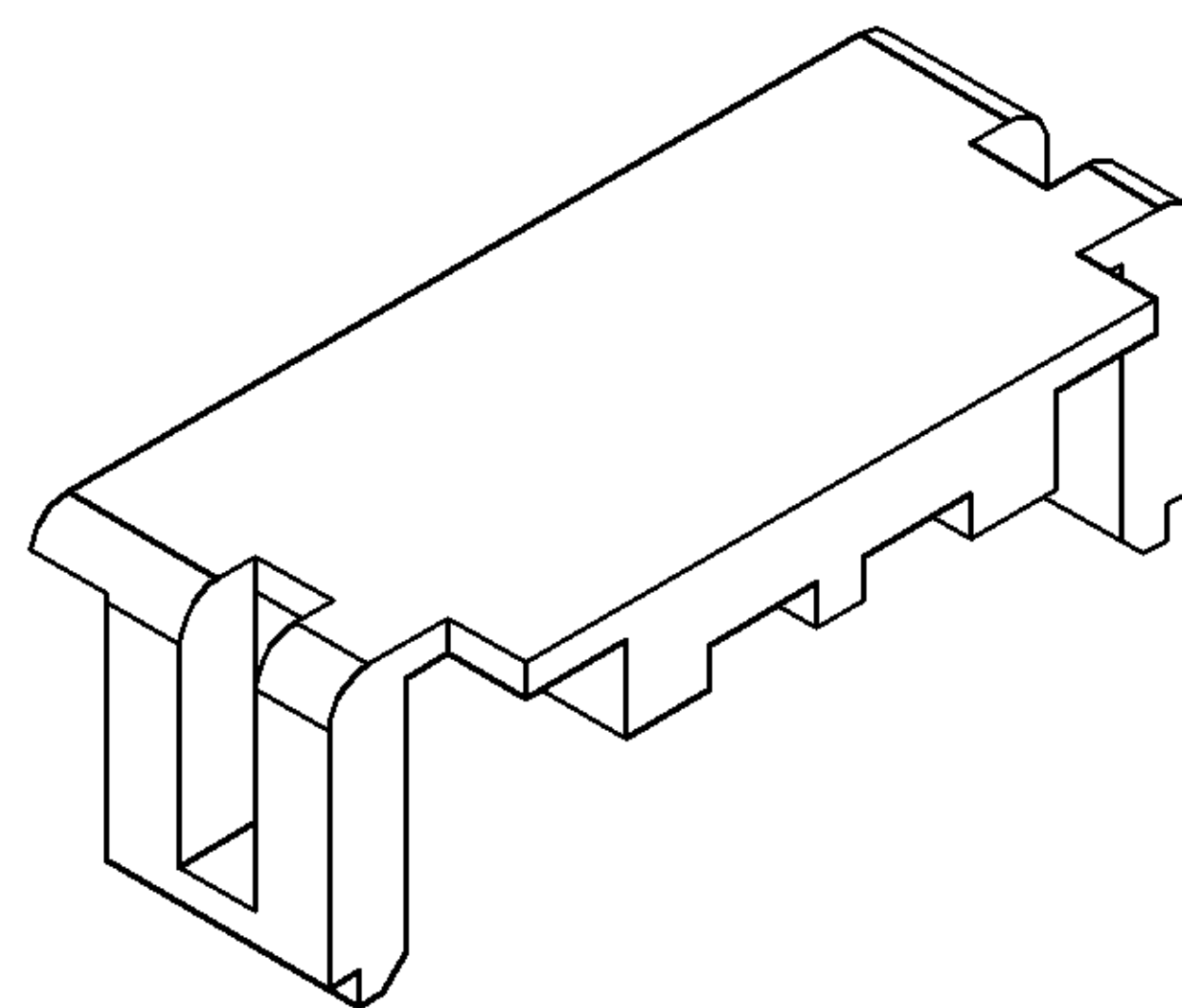
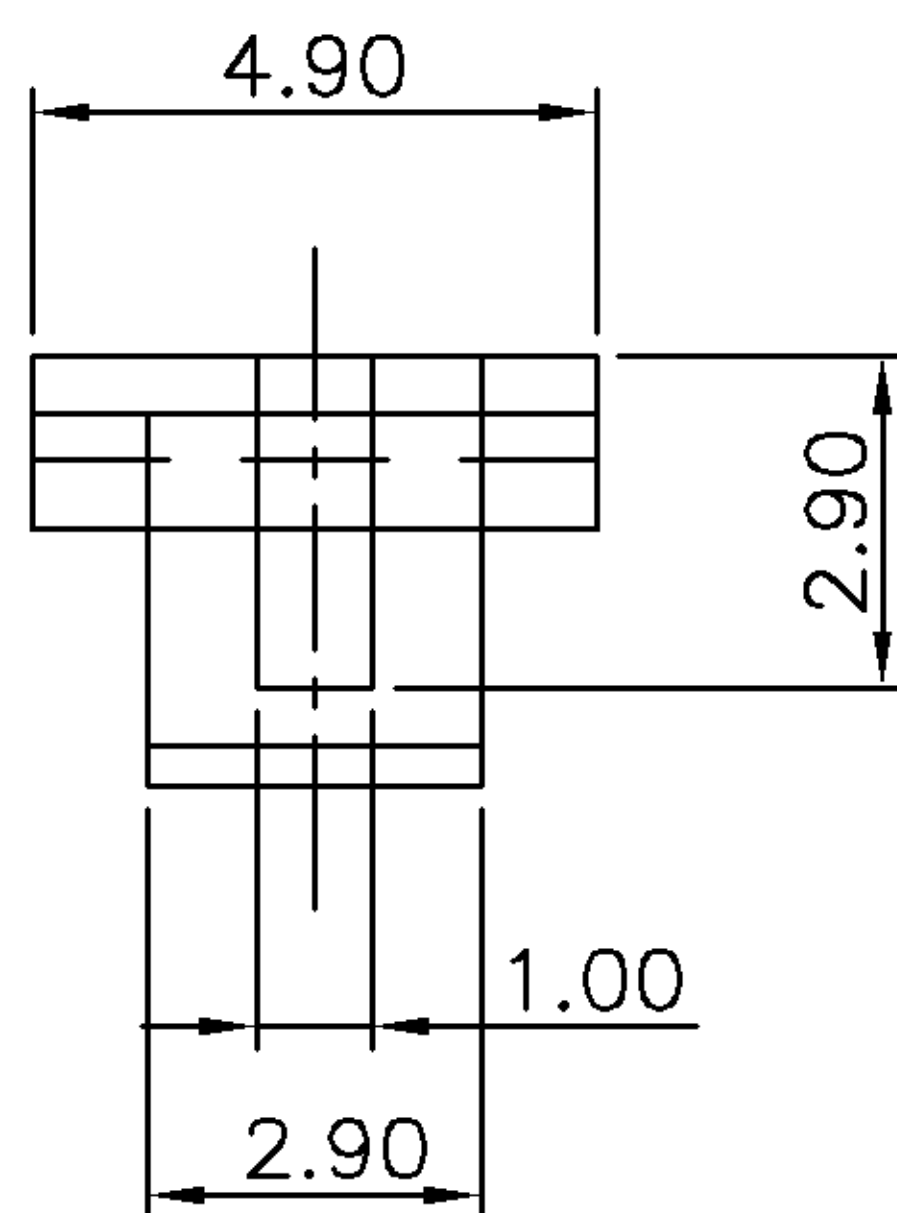
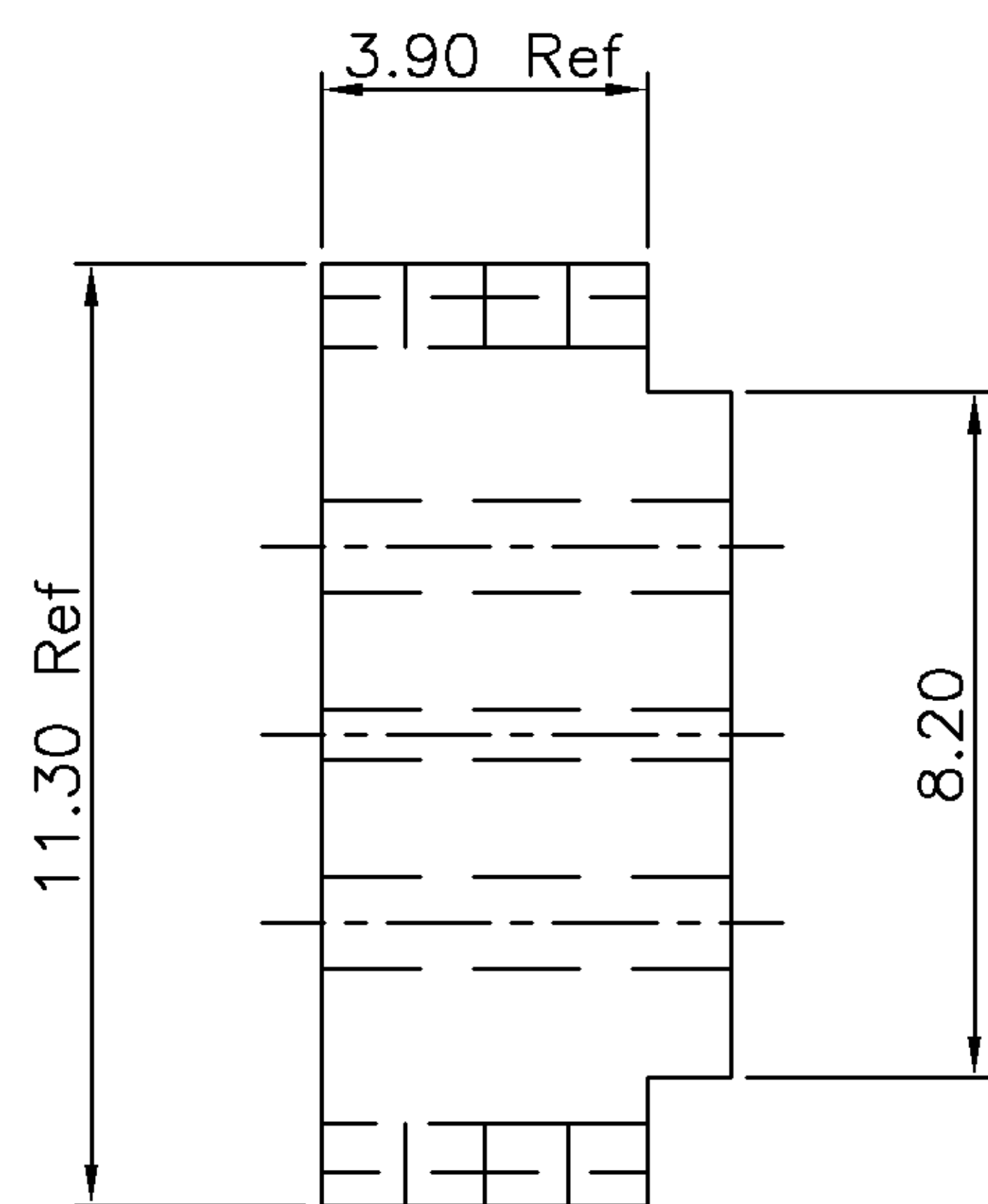
THIS INFORMATION IS CONFIDENTIAL AND IS DISCLOSED TO YOU ON CONDITION THAT NO FURTHER DISCLOSURE IS MADE BY YOU TO OTHER THAN AMP PERSONNEL WITHOUT WRITTEN AUTHORIZATION FROM AMP (TAIWAN) LTD. DIMENSIONS IN MILLIMETERS. DO NOT SCALE PRINT.

PRINT DIST
DW

METRIC



NUMBER
C-1734372



NOTES:

1. MATERIAL:

HOUSING: THERMOPLASTIC, WITH 30% GLASS FILLED,
UL 94V-0 RATED, COLOR: BLACK

2-1734372-1
PART NUMBER

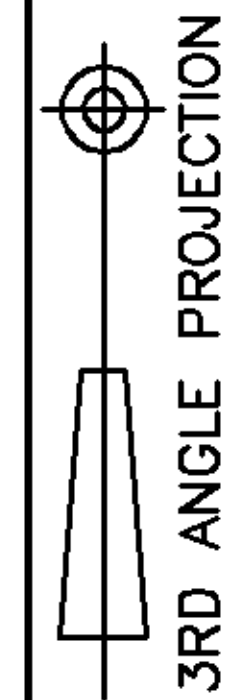
TOLERANCES UNLESS OTHERWISE SPECIFIED: 0 PLC ±0.5 1 PLC ±0.35 2 PLC ±0.25 3 PLC ±0.15 ANGLES ±3'	DWN	O. HU	tyco TYCO HOLDINGS (BERMUDA) Electronics VII LTD. TAIWAN BRANCH	
		22-NOV-2005		
MATERIAL SEE NOTE	CHK	S. HOU	NAME USB OVERMOLD HARDWARE KIT SERIES A, SOLDER PLUG, LONG TYPE	
		22-NOV-2005		
FINISH SEE NOTE	APVD	W.J. KE	LOC SIZE DRAWING NO REV DW A ₃ C-1734372 O	
		22-NOV-2005		
	PRODUCT SPEC		SCALE SHEET -- 2 OF 7	
	108-57547			
	APPLICATION SPEC		WEIGHT 0.08 gram	
	--			

SEE SHEET 1.	ECN	DWN	CHK	DATE
LTR	REVISION RECORD			

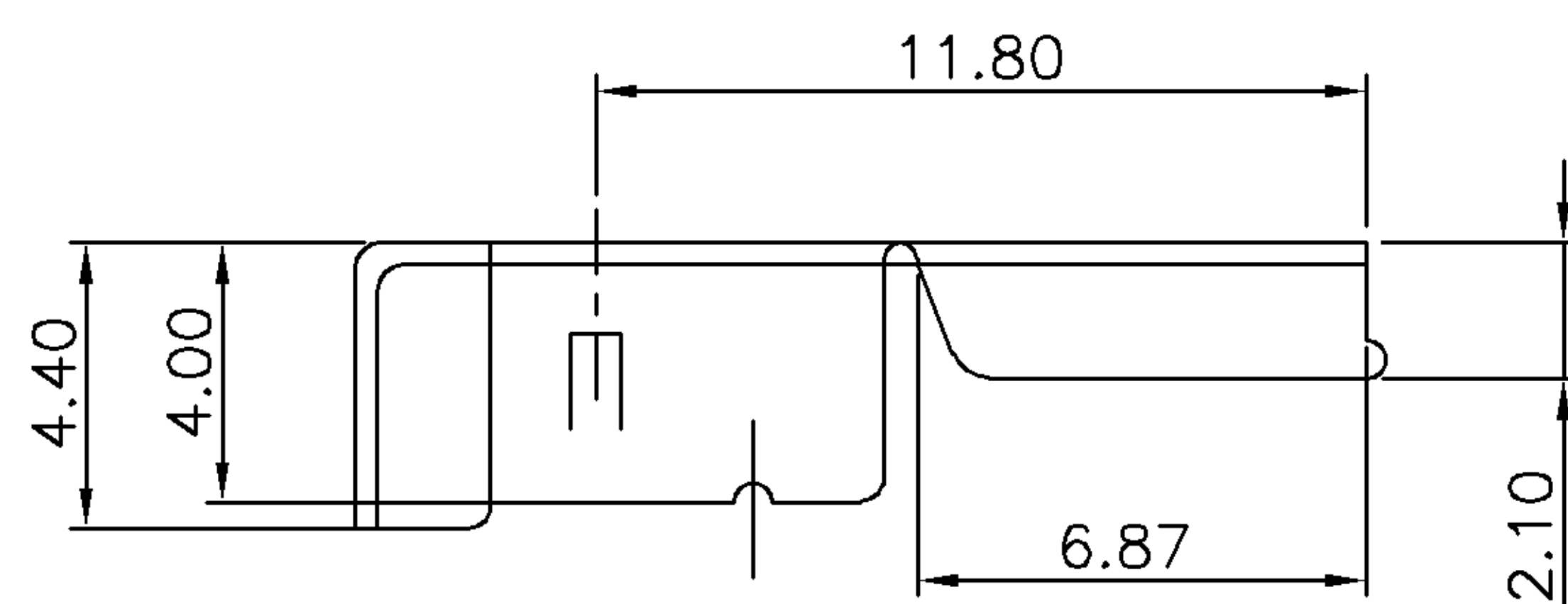
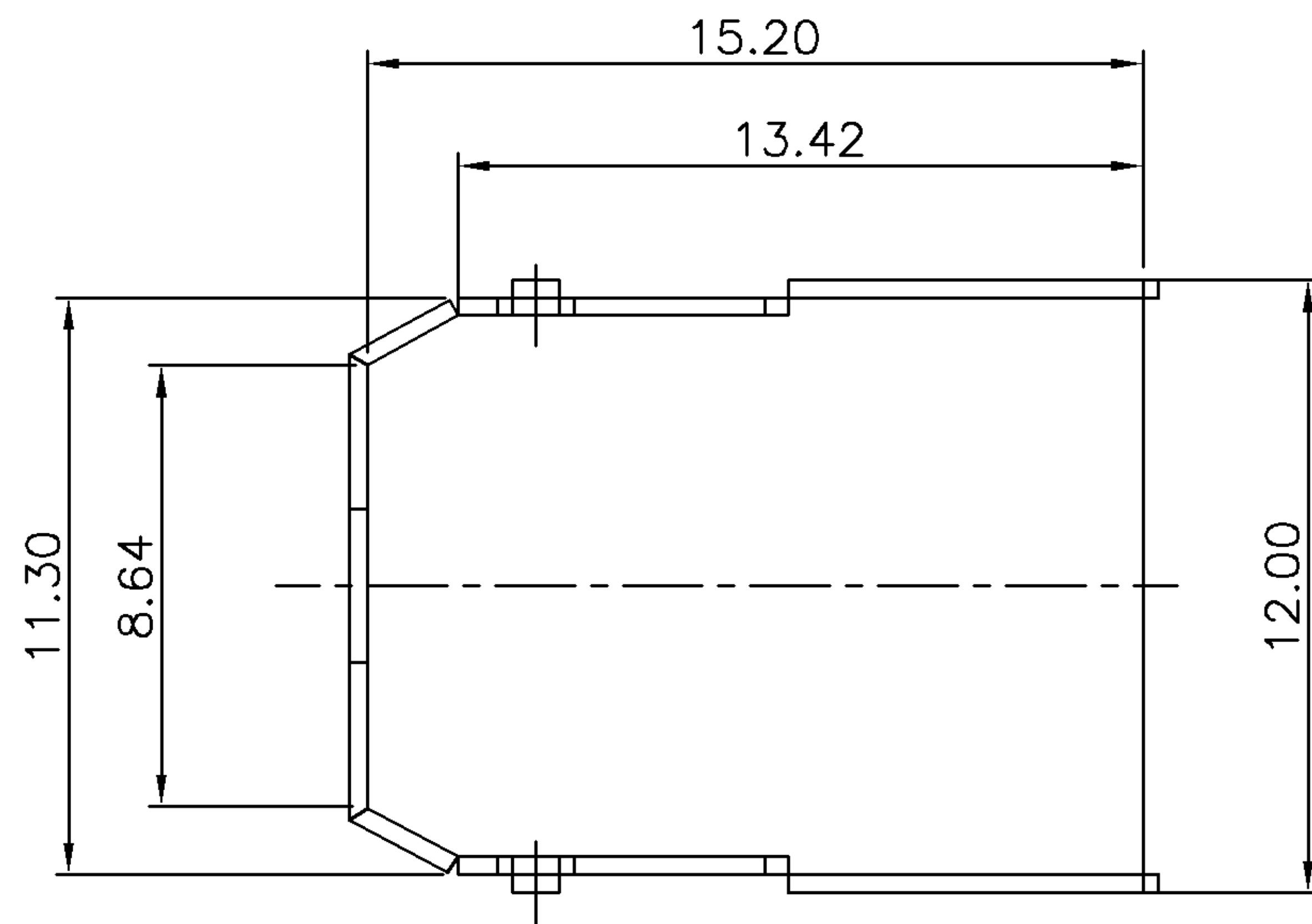
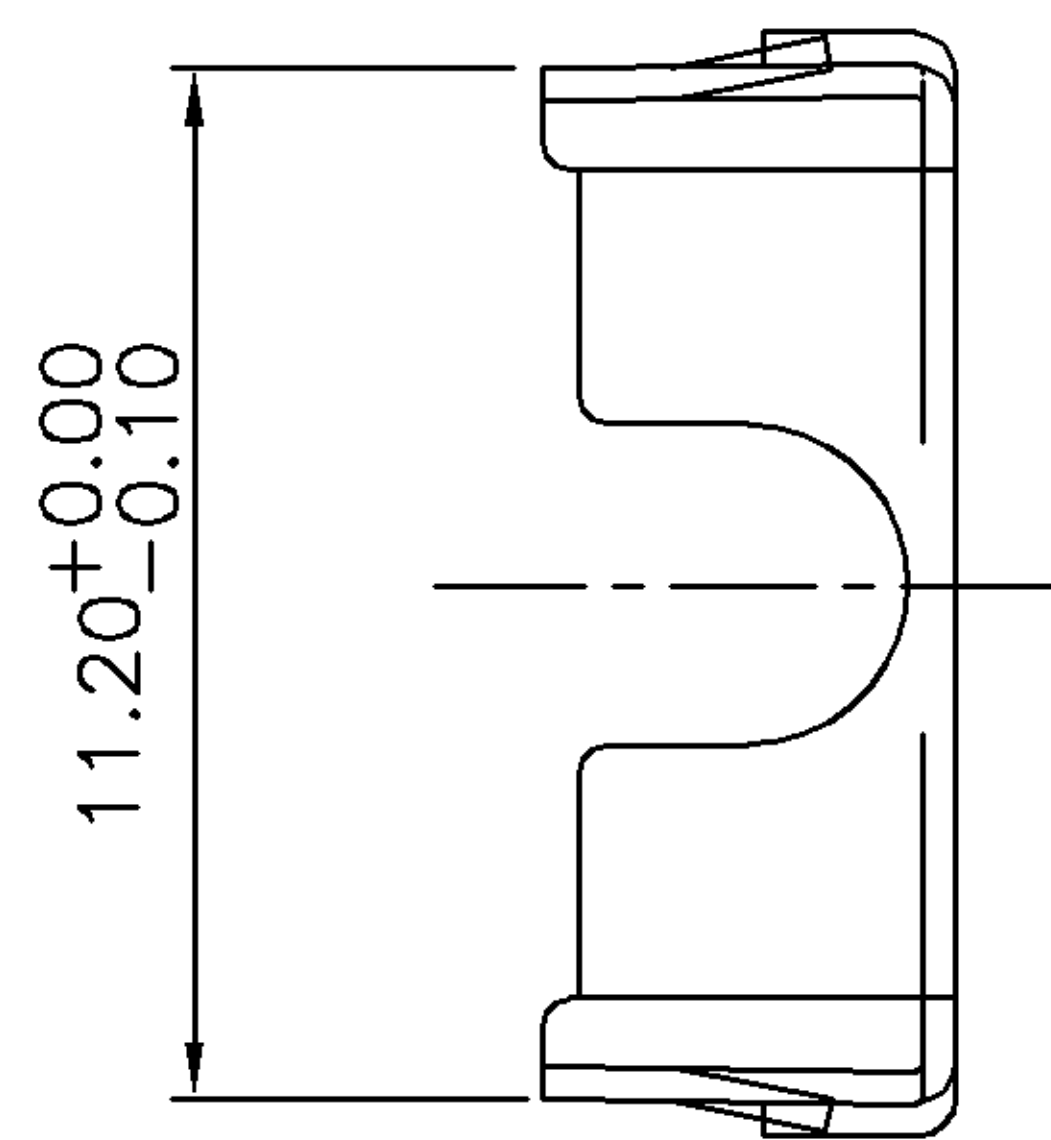
THIS INFORMATION IS CONFIDENTIAL AND IS DISCLOSED TO YOU ON CONDITION THAT NO FURTHER DISCLOSURE IS MADE BY YOU TO OTHER THAN AMP PERSONNEL WITHOUT WRITTEN AUTHORIZATION FROM AMP (TAIWAN) LTD. DIMENSIONS IN MILLIMETERS. DO NOT SCALE PRINT.

PRINT DIST
DW

METRIC



NUMBER
C-1734372



NOTES:

- MATERIAL:
BACK SHELL: SPCC STEEL, THECKNESS=0.35±0.015mm.
- FINISH :
BACK SHELL: 120u" MIN NICKEL PLATED OVER 100u" MIN. Cu UNDERPLATED ALL OVER.

3-1734372-1
PART NUMBER

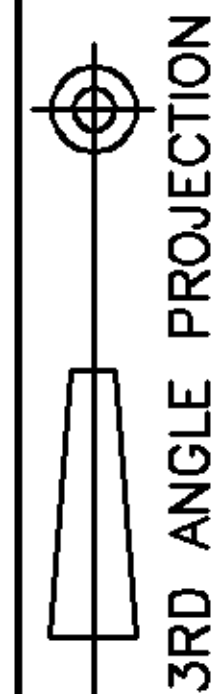
TOLERANCES UNLESS OTHERWISE SPECIFIED: 0 PLC ±0.5 1 PLC ±0.35 2 PLC ±0.25 3 PLC ±0.15 ANGLES ±3'	DWN O. HU 22-NOV-2005	TYCO HOLDINGS (BERMUDA) VII LTD. TAIWAN BRANCH NAME
	CHK S. HOU 22-NOV-2005	
MATERIAL SEE NOTE	APVD W.J. KE 22-NOV-2005	USB OVERMOLD HARDWARE KIT SERIES A, SOLDER PLUG, LONG TYPE
	PRODUCT SPEC 108-57547	
FINISH SEE NOTE	APPLICATION SPEC --	LOC DW SCALE
	WEIGHT 0.78 gram	DRAWING NO C-1734372 REV O
		SHEET 3 OF 7

LTR	SEE SHEET 1.	ECN	DWN	CHK	DATE
	REVISION RECORD				

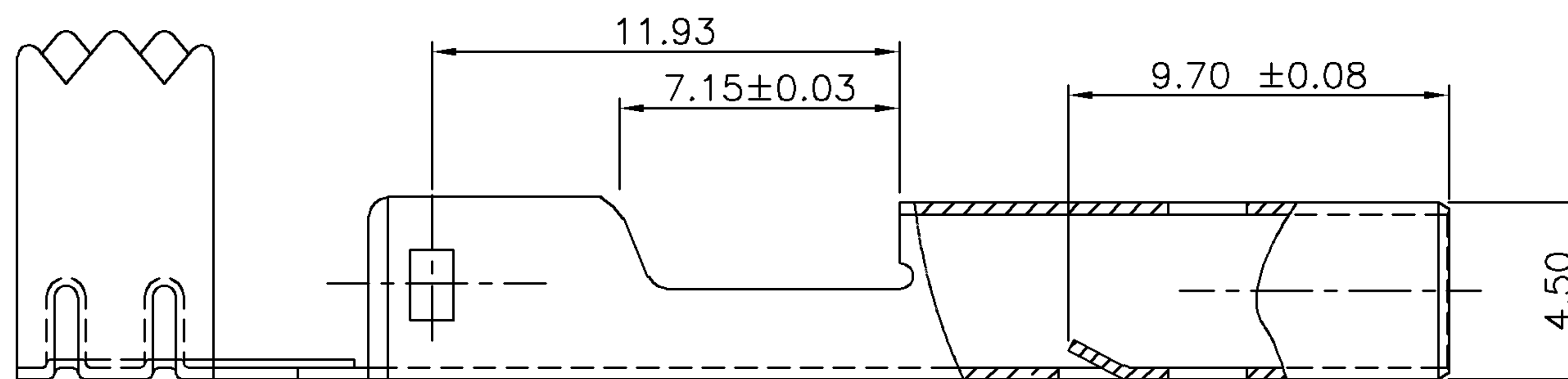
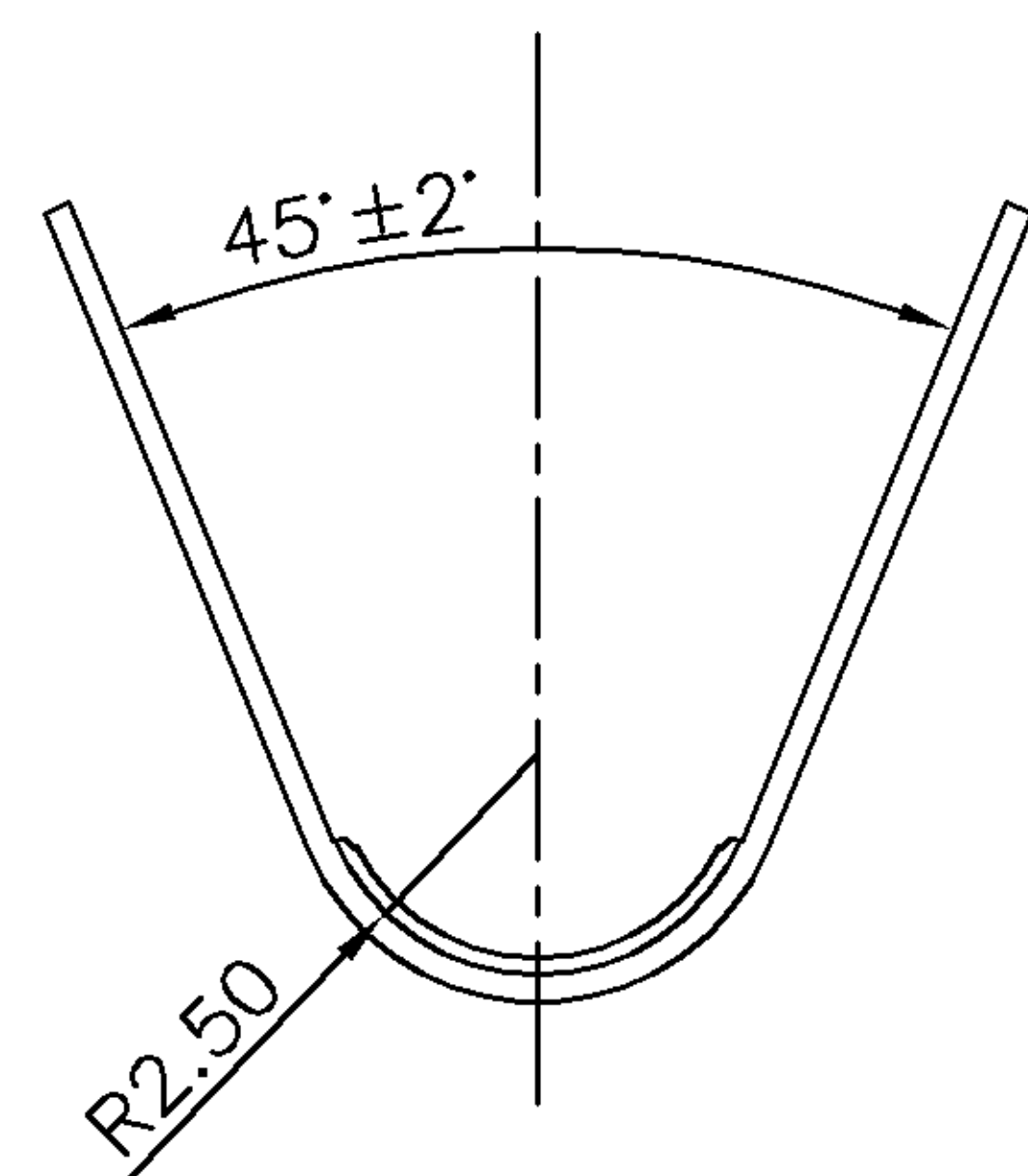
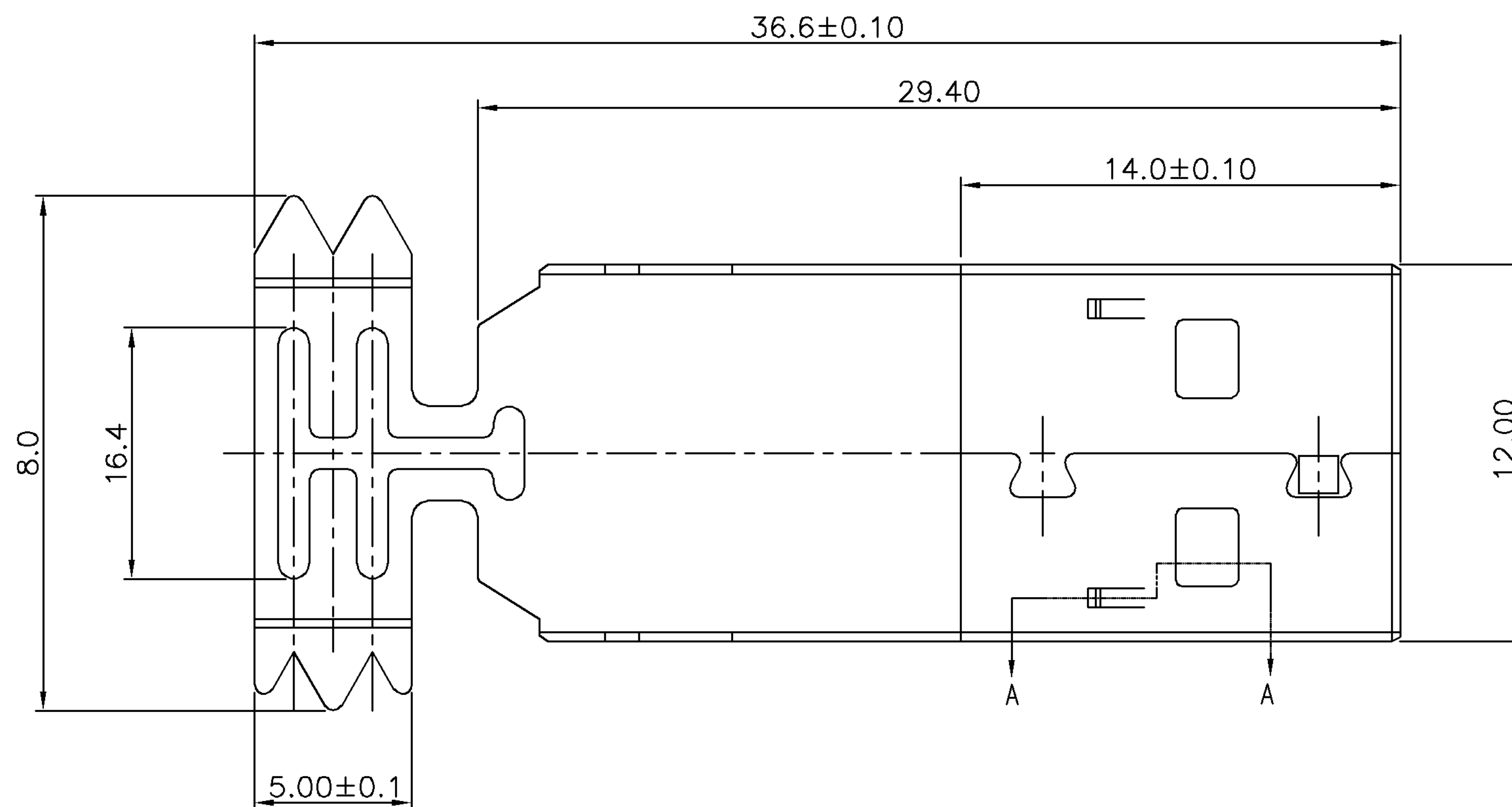
THIS INFORMATION IS CONFIDENTIAL AND IS DISCLOSED TO YOU ON CONDITION THAT NO FURTHER DISCLOSURE IS MADE BY YOU TO OTHER THAN AMP PERSONNEL WITHOUT WRITTEN AUTHORIZATION FROM AMP (TAIWAN) LTD. DIMENSIONS IN MILLIMETERS. DO NOT SCALE PRINT.

PRINT DIST
DW

METRIC



NUMBER
C-1734372



SECTION A-A

NOTES:

- MATERIAL:
FRONT SHELL: SPCC STEEL, THECKNESS=0.35±0.015mm.
- FINISH :
FRONT SHELL: 120u" MIN NICKEL PLATED OVER 100u" MIN. Cu UNDERPLATED ALL OVER.

4-1734372-1
PART NUMBER

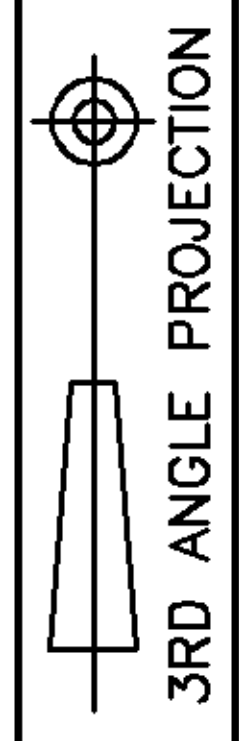
TOLERANCES UNLESS OTHERWISE SPECIFIED: 0 PLC ±0.5 1 PLC ±0.35 2 PLC ±0.25 3 PLC ±0.15 ANGLES ±3'	DWN	O. HU	TYCO HOLDINGS (BERMUDA) VII LTD. TAIWAN BRANCH
		22-NOV-2005	
	CHK	S. HOU	NAME
		22-NOV-2005	USB OVERMOLD HARDWARE KIT SERIES A, SOLDER PLUG, LONG TYPE
MATERIAL	APVD	W.J. KE	
SEE NOTE		22-NOV-2005	
	PRODUCT SPEC		
	108-57547		
FINISH	APPLICATION SPEC	LOC	SIZE
SEE NOTE	--	DW	A ₃
	WEIGHT	DRAWING NO	REV
	2.05 gram	C-1734372	O
		SCALE	SHEET
		--	4 OF 7

SEE SHEET 1.	ECN	DWN	CHK	DATE
LTR	REVISION RECORD			

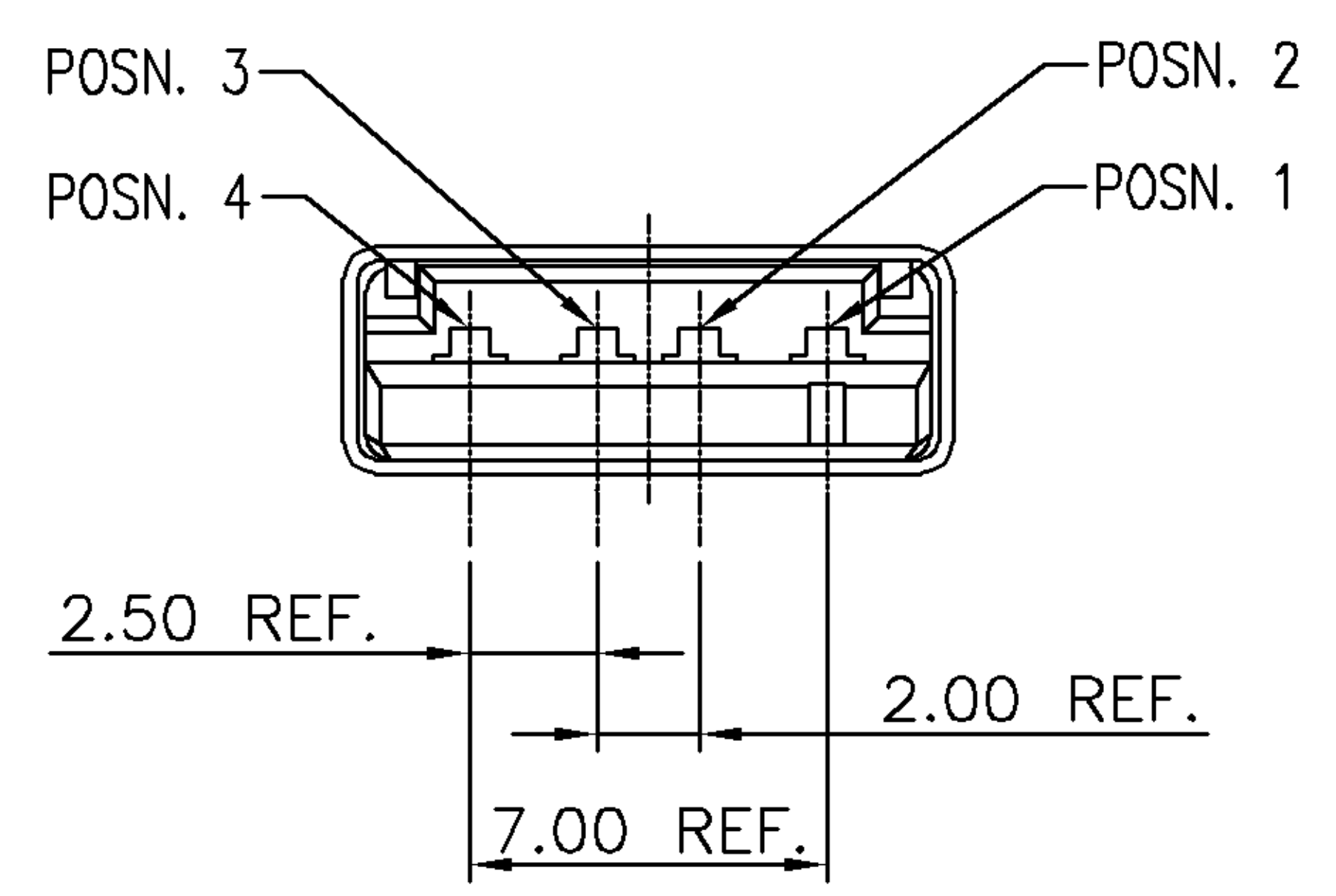
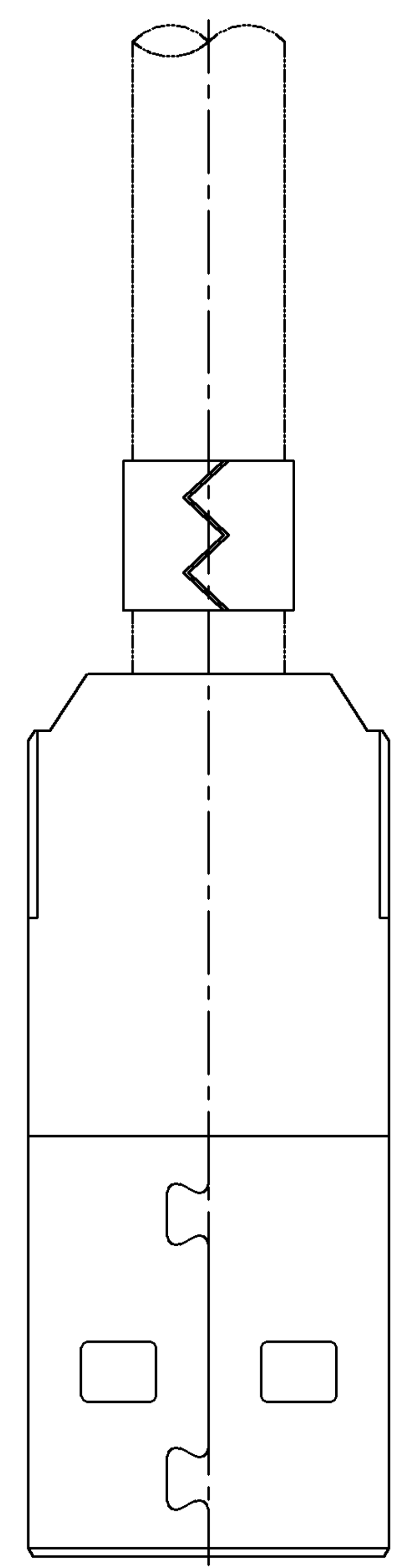
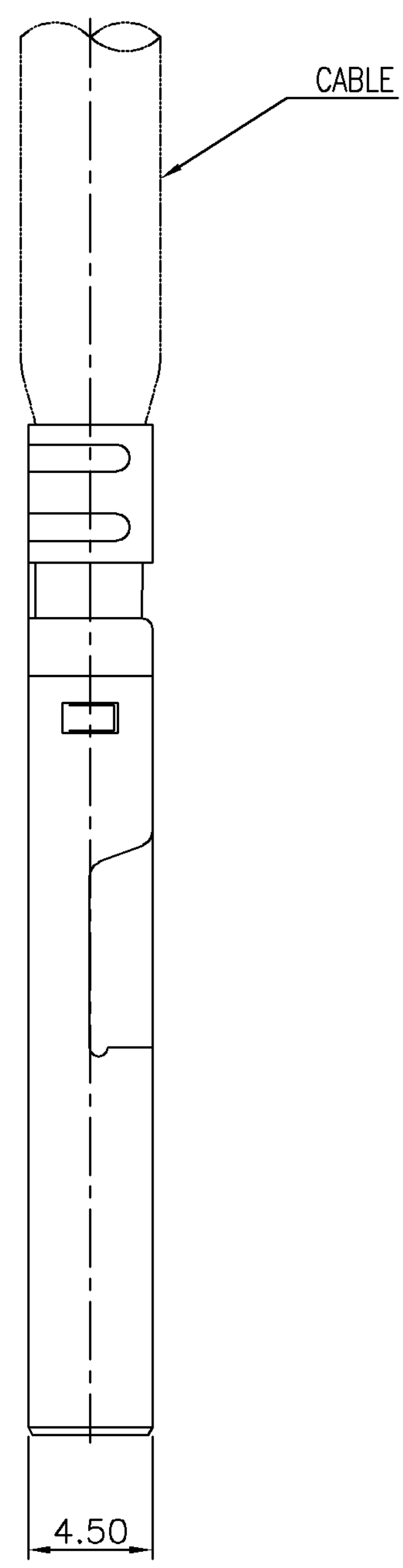
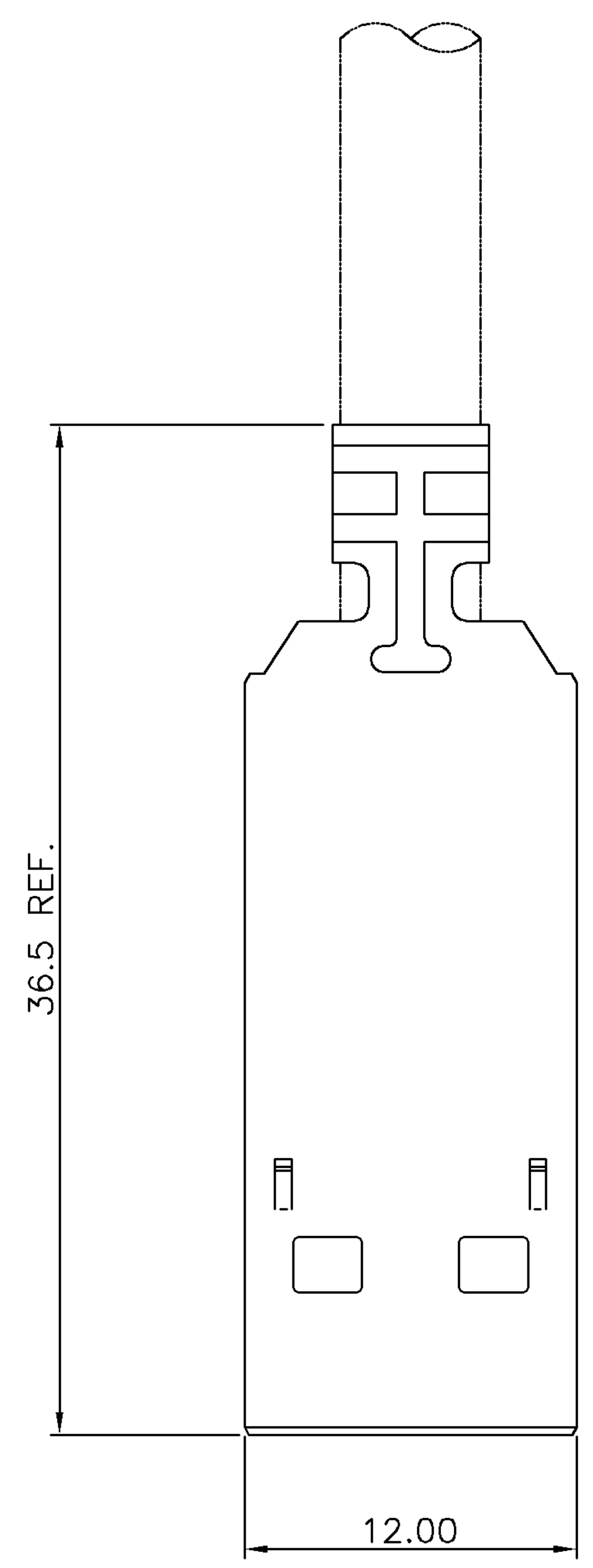
THIS INFORMATION IS CONFIDENTIAL AND IS DISCLOSED TO YOU ON CONDITION THAT NO FURTHER DISCLOSURE IS MADE BY YOU TO OTHER THAN AMP PERSONNEL WITHOUT WRITTEN AUTHORIZATION FROM AMP (TAIWAN) LTD. DIMENSIONS IN MILLIMETERS. DO NOT SCALE PRINT.

PRINT DIST
DW

METRIC



NUMBER
C-1734372



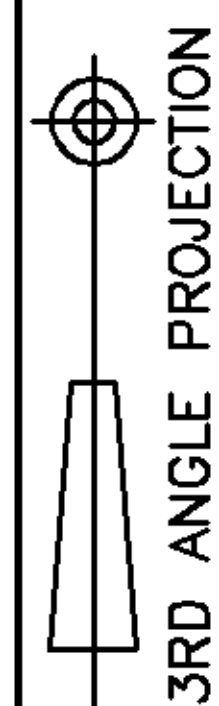
4-1734372-1	3-1734372-1	2-1734372-1	1-1734372-2	1734372-2
			1-1734372-1	1734372-1
BACK SHELL	FRONT SHELL	COVER	HOUSING	PART NUMBER

TOLERANCES UNLESS OTHERWISE SPECIFIED: 0 PLC ±0.5 1 PLC ±0.35 2 PLC ±0.25 3 PLC ±0.15 ANGLES ±3°	DWN O. HU 22-NOV-2005	TYCO HOLDINGS (BERMUDA) VII LTD. TAIWAN BRANCH NAME USB OVERMOLD HARDWARE KIT SERIES A, SOLDER PLUG, LONG TYPE
	CHK S. HOU 22-NOV-2005	
MATERIAL SEE NOTE	APVD W.J. KE 22-NOV-2005	LOC SIZE DRAWING NO REV DW A ₃ C-1734372 O SCALE -- SHEET 5 OF 7
	PRODUCT SPEC 108-57547	
FINISH SEE NOTE	APPLICATION SPEC --	
	WEIGHT	

	SEE SHEET 1.	ECN	DWN CHK	DATE
LTR	REVISION RECORD			

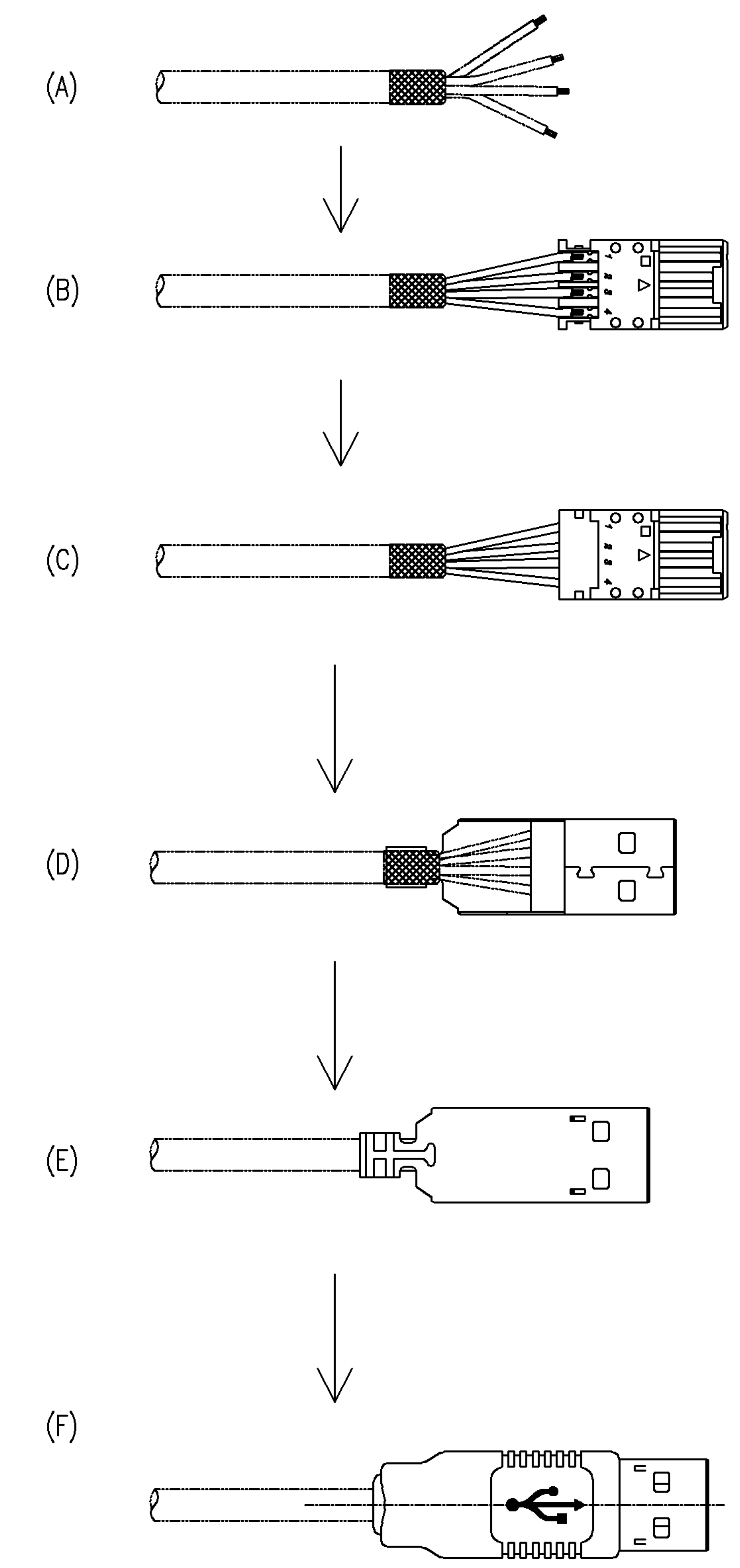
THIS INFORMATION IS CONFIDENTIAL AND IS DISCLOSED TO YOU ON CONDITION THAT NO FURTHER DISCLOSURE IS MADE BY YOU TO OTHER THAN AMP PERSONNEL WITHOUT WRITTEN AUTHORIZATION FROM AMP (TAIWAN) LTD. DIMENSIONS IN MILLIMETERS. DO NOT SCALE PRINT.

NUMBER
C-1734372

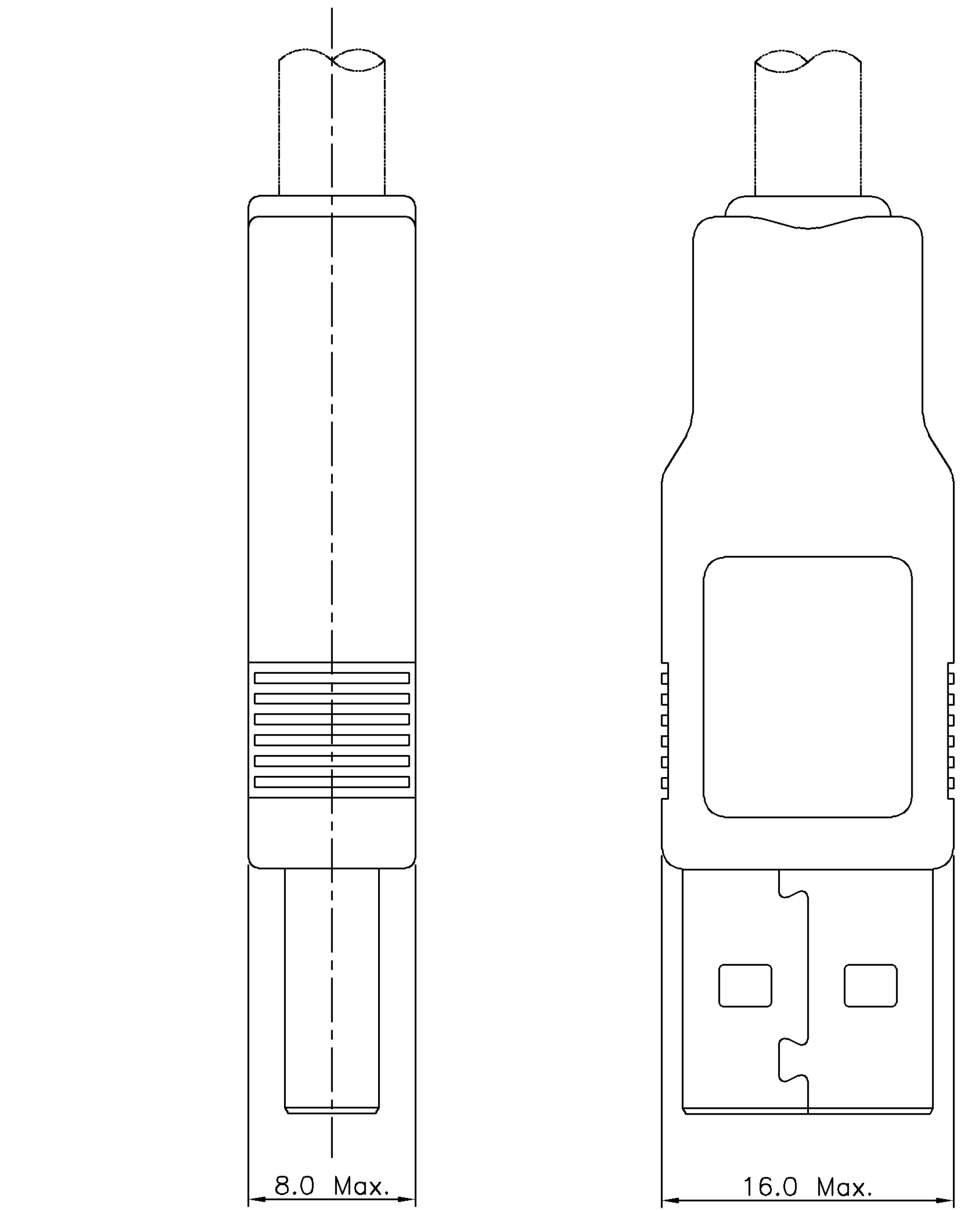
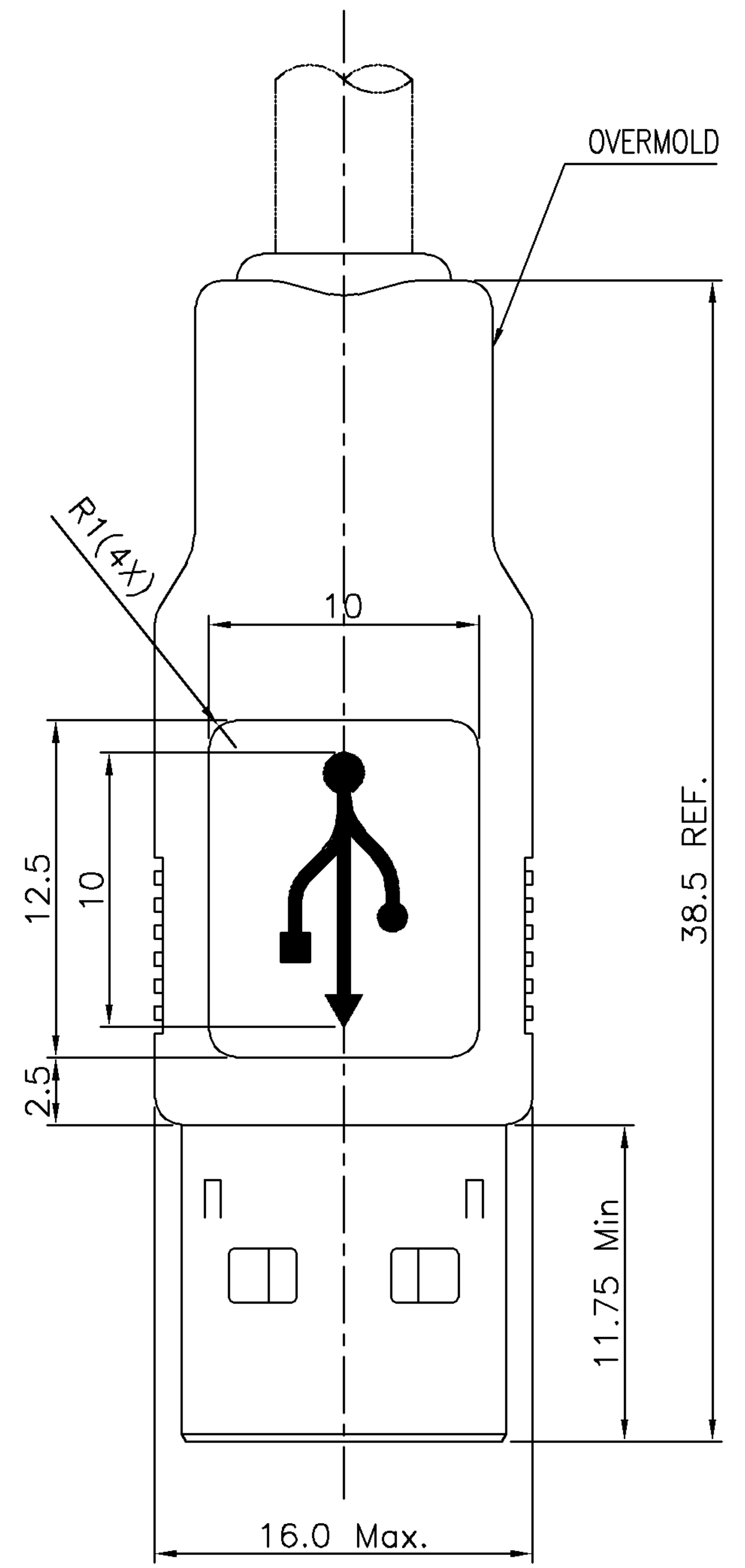


METRIC

PRINT DIST
DW



ASSEMBLY PROCESS
SCALE 1:1



RECOMMENDED OVERMOLD DIMENSION

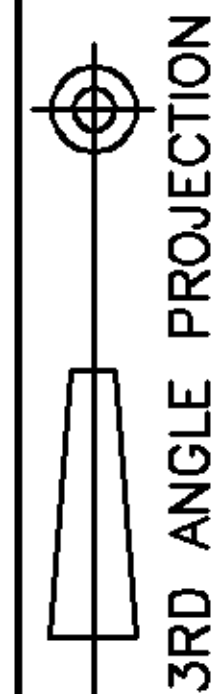
SEE SHEET 1.	ECN	DWN	CHK	DATE
LTR	REVISION RECORD			

TOLERANCES UNLESS OTHERWISE SPECIFIED: 0 PLC ±0.5 1 PLC ±0.35 2 PLC ±0.25 3 PLC ±0.15 ANGLES ±3'	DWN	O. HU	tyco TYCO HOLDINGS (BERMUDA)	
		22-NOV-2005	VII LTD. TAIWAN BRANCH	
MATERIAL SEE NOTE	CHK	S. HOU	NAME	
		22-NOV-2005	USB OVERMOLD HARDWARE KIT SERIES A, SOLDER PLUG, LONG TYPE	
FINISH SEE NOTE	APVD	W.J. KE	LOC	SIZE
		22-NOV-2005	DW	A ₃
	PRODUCT SPEC	--	DRAWING NO	REV
	APPLICATION SPEC	--	C-1734372	O
	WEIGHT	--	SCALE	SHEET
			--	6 OF 7

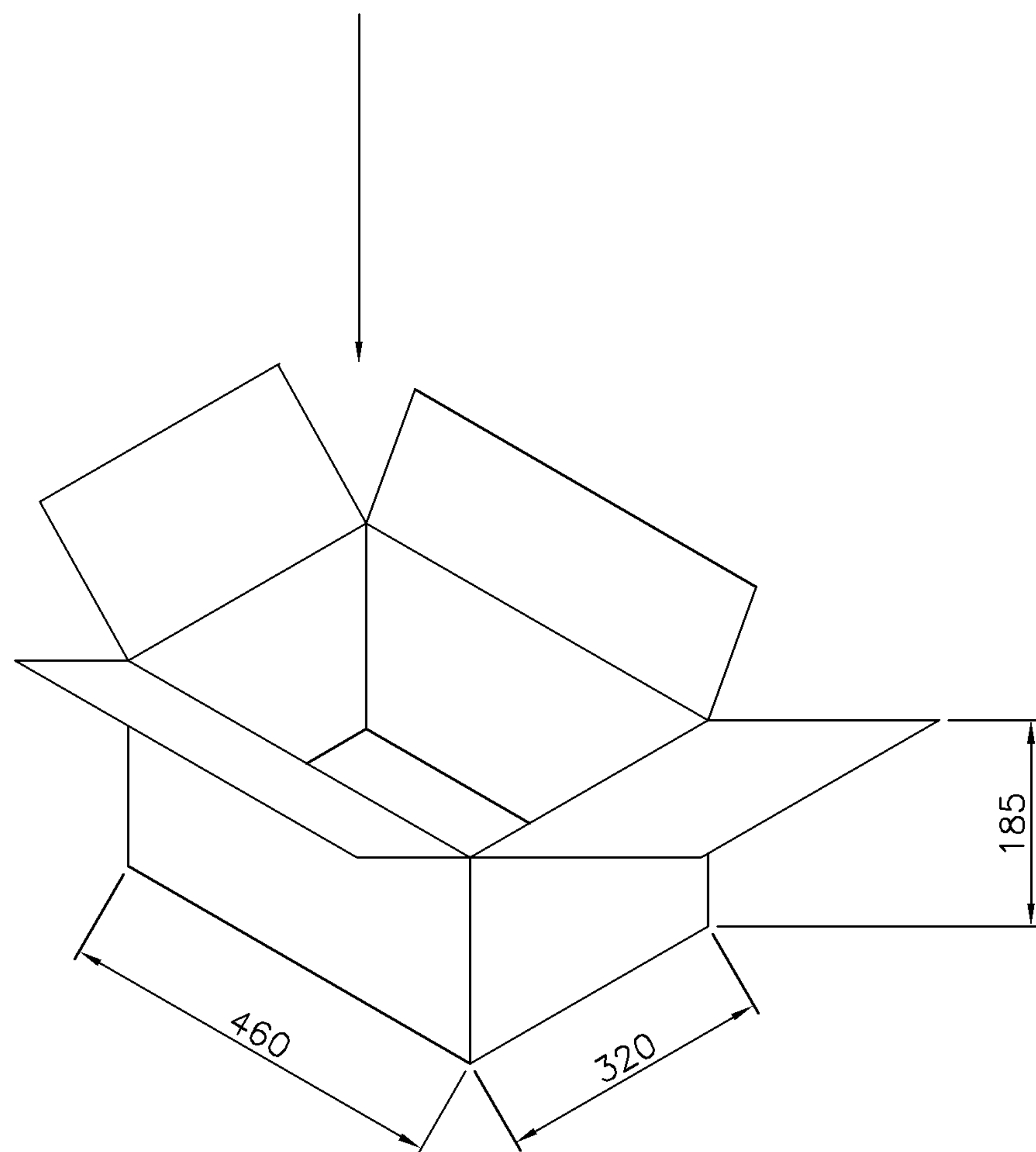
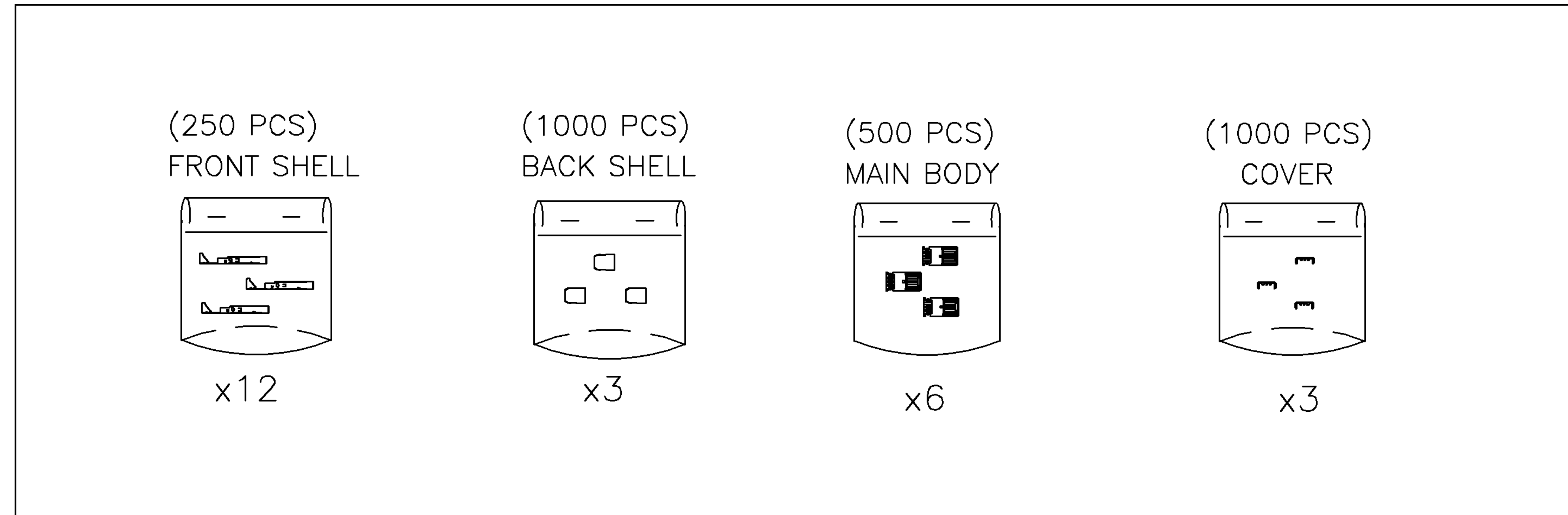
THIS INFORMATION IS CONFIDENTIAL AND IS DISCLOSED TO YOU ON CONDITION THAT NO FURTHER DISCLOSURE IS MADE BY YOU TO OTHER THAN AMP PERSONNEL WITHOUT WRITTEN AUTHORIZATION FROM AMP (TAIWAN) LTD. DIMENSIONS IN MILLIMETERS. DO NOT SCALE PRINT.

PRINT DIST
DW

METRIC



NUMBER
C-1734372



NOTES:

- MATERIAL:
BAG : PE
SHIPPING CARTON : CORRUGATED FIBER
- DIMENSION :
BEG : L=300mm , W=185mm , THICKNESS=0.1mm
SHIPPING CARTON : L=320 , W=460 , H=185
- QUANTITY :
FRONT SHELL PACKING : 250 PCS/BAG
BACK SHELL PACKING : 1000 PCS/BAG
MAIN BODY PACKING : 500 PCS/BAG
COVER PACKING : 1000 PCS/BAG
SECONDARY PACKING : 3000 SETS/CARTON
- WEIGHT :
NET WIGHT : 11.70 KG/CARTON
GROSS WIGHT : 12.50 KG/CARTON

SEE SHEET 1.	ECN	DWN	CHK	DATE
LTR	REVISION RECORD			

TOLERANCES UNLESS OTHERWISE SPECIFIED: 0 PLC ± 1 PLC ± 2 PLC ± 3 PLC ± ANGLES ±	DWN	O. HU	tyco TYCO HOLDINGS (BERMUDA) Electronics VII LTD. TAIWAN BRANCH	
		22-NOV-2005		
MATERIAL SEE NOTE	CHK	S. HOU	NAME USB OVERMOLD HARDWARE KIT SERIES A, SOLDER PLUG, LONG TYPE	
		22-NOV-2005		
FINISH SEE NOTE	APVD	W.J. KE	LOC SIZE DRAWING NO REV DW A ₃ C-1734372 0	
		22-NOV-2005		
	PRODUCT SPEC		SCALE SHEET -- 7 OF 7	
	APPLICATION SPEC			
	WEIGHT			